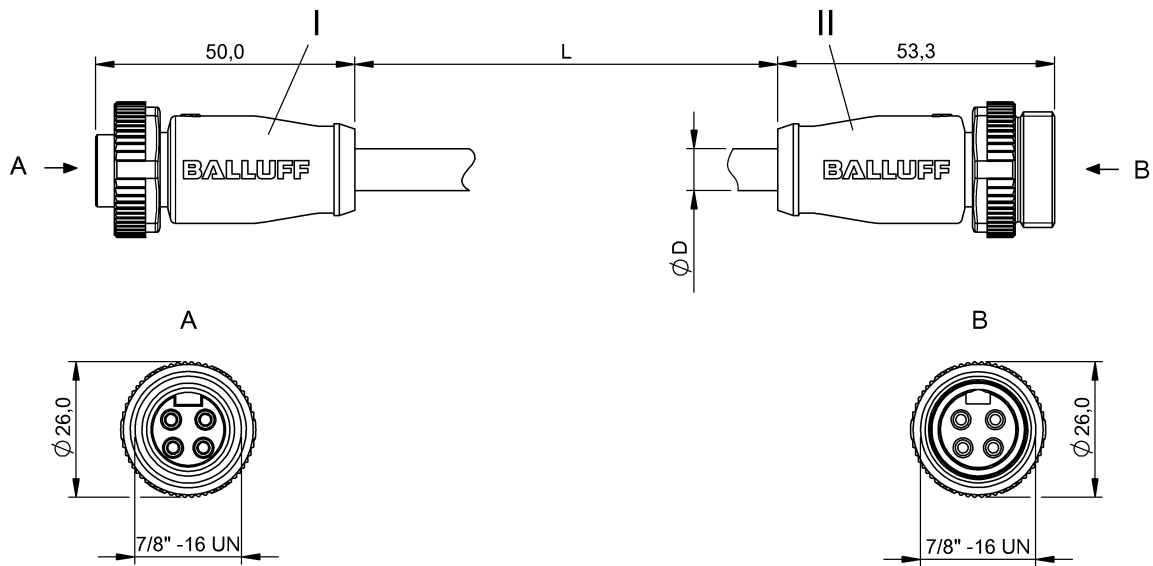


Double-Ended Cordsets  
**BCC A314-A314-30-304-EX44W6-030**  
**Order Code: BCC0C9A**

**BALLUFF**



**Basic features**

Approval/Conformity	CE cULus WEEE
---------------------	---------------------

**Electrical connection**

Cable	TPE Yellow, 3 m
Cable diameter D	10.90 mm ±0.25 mm
Conductor cross-section	16 AWG
Connection 1	7/8"-Female, straight, 4-pin
Connection 2	7/8"-Male, straight, 4-pin
Number of conductors	4
System	Molded/Molded

**Electrical data**

Cable rated voltage AC max.	600 V
Cable rated voltage DC max.	600 V
Operating voltage U <sub>b</sub>	300 VDC / 300 VAC
Operating voltage U <sub>b</sub> 3-phase network	277/480V AC +/- 15%
Rated current (40 °C)	10.0 A

**Remarks**

Cable construction acc. to UL-AWM Style 2037  
 Enclosure rating per IEC 60529, only in screwed state with the associated mating piece.

**Environmental conditions**

Cable temperature, fixed routing	-40...105 °C
IP rating	IP67, IP68/IP67, IP68

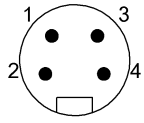
**Material**

Cable jacket, material	TPE
Material contact carrier	PUR/PUR
Material contacts	Brass/Brass
Material cover nut	Die-cast zinc/Die-cast zinc
Material grip	PUR/PUR

**Mechanical data**

Cable jacket, color	Yellow
Cable length L	3.00 m
Tightening torque pigtail	1.5 Nm/1.5 Nm

## Connector Drawings



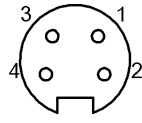
II

PIN 1: brown

PIN 2: white

PIN 3: blue

PIN 4: black



I

PIN 1: brown

PIN 2: white

PIN 3: blue

PIN 4: black

## Wiring Diagrams

